



LIDERKIT GROUP

Pol. Ind. El Guadial Tel. + 34 953 67 80 41
 Avd. Linares, 17 Fax. + 34 953 67 63 52
 23210 Guarroman www.liderkit.com
 Jaen (SPAIN)

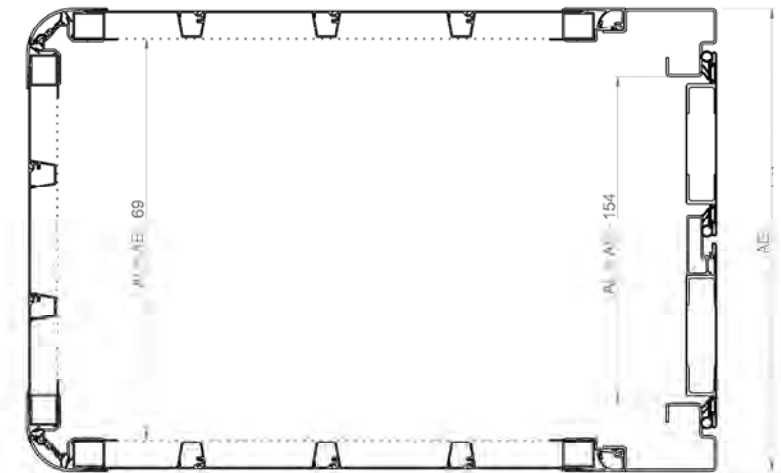
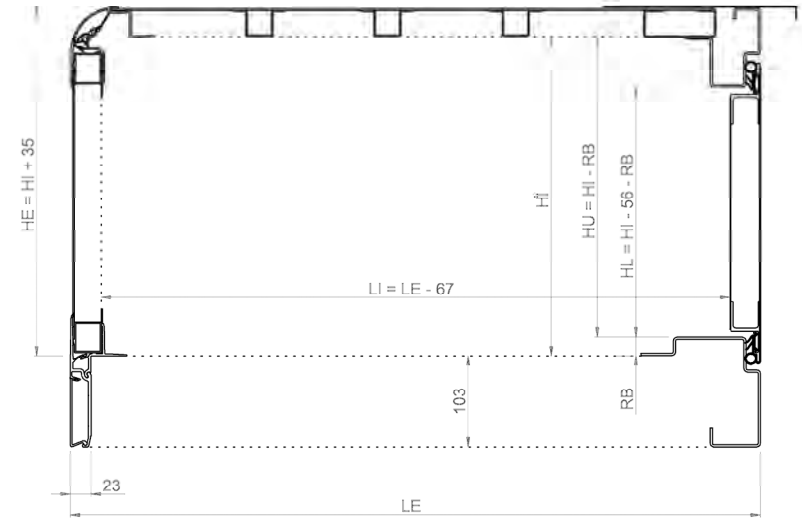
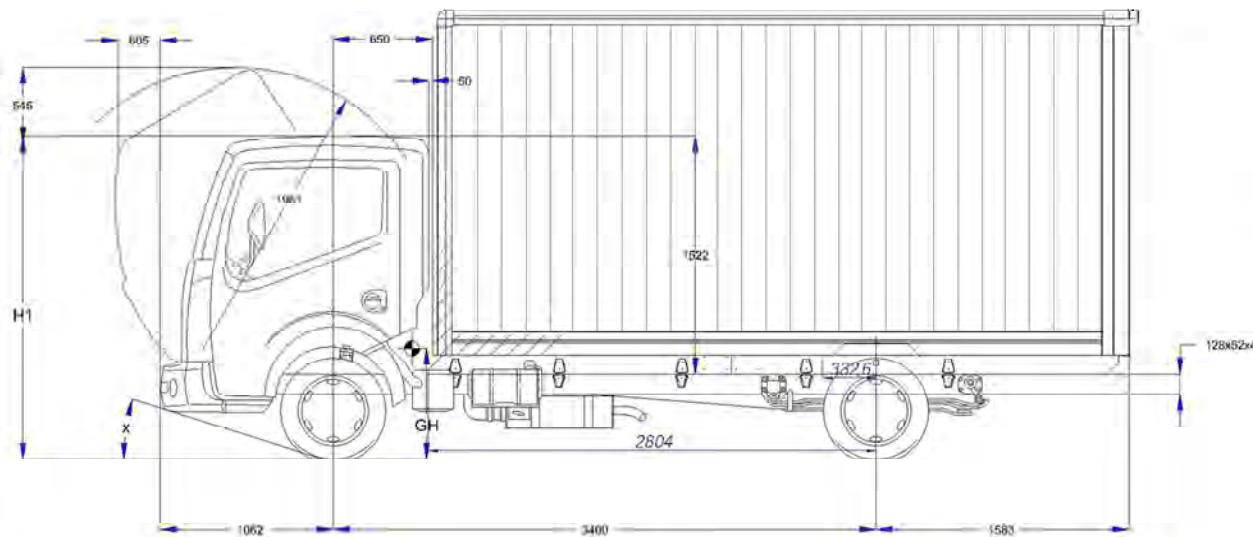
MODEL 645. ALUMINIUM SNAP LOCK KIT

Roof: Made of translucent polyester 1,6mm of thickness, reinforce using galvanized steel omegas (DX-F5 cold lamination) 1mm thickness, every 600mm. All this parts are screwed and glued during the fabrication process. The perimeter is made of aluminium profiles (alloy 6005)

Sidewalls and frontwall: Made of aluminium clipped profiles that make the structure stronger (alloy profiles 6063) The perimeter is made of aluminium profiles (alloy 6005). All the parts are assembled using screws, rivets, and glued in the interior part. This type of box body has no exterior sealing.

Rear frame: Made of galvanized steel DX51 Z275 MAC 2,5 mm thickness, reinforced in the squares, semiautomatic welding.

Rear doors: Sandwich panel of 30mm thickness, composed by polyester 1,6mm/ polystyrene (44kg/m3)/ polyester 1,6mm. Fire resistant panel, factor M3. Stainless steel AISI 304 lock and inch, recessed locks.



Test of maximum
resistance of
load rails



Safety of loads
XL EN 12642



Quality management
certificate



Environmental
management
certificate