

## ISOTHERMAL

**Roof:** Sandwich panel 90mm thickness. Composed by polyester 2mm thickness/ polyurethane (44Kg/m<sup>3</sup>) / polyester 2mm. Fire resistant factor M3. Exterior part in RAL 9016. Aluminium profiles (alloy 6005).

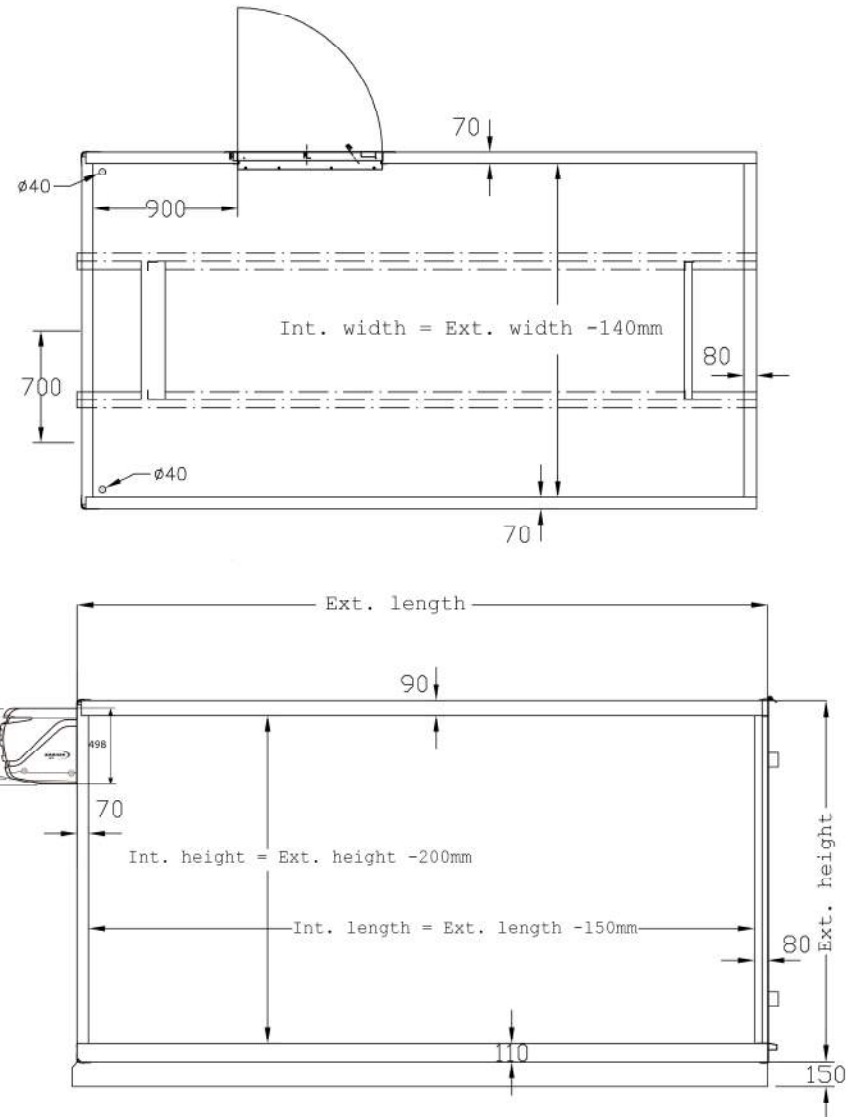
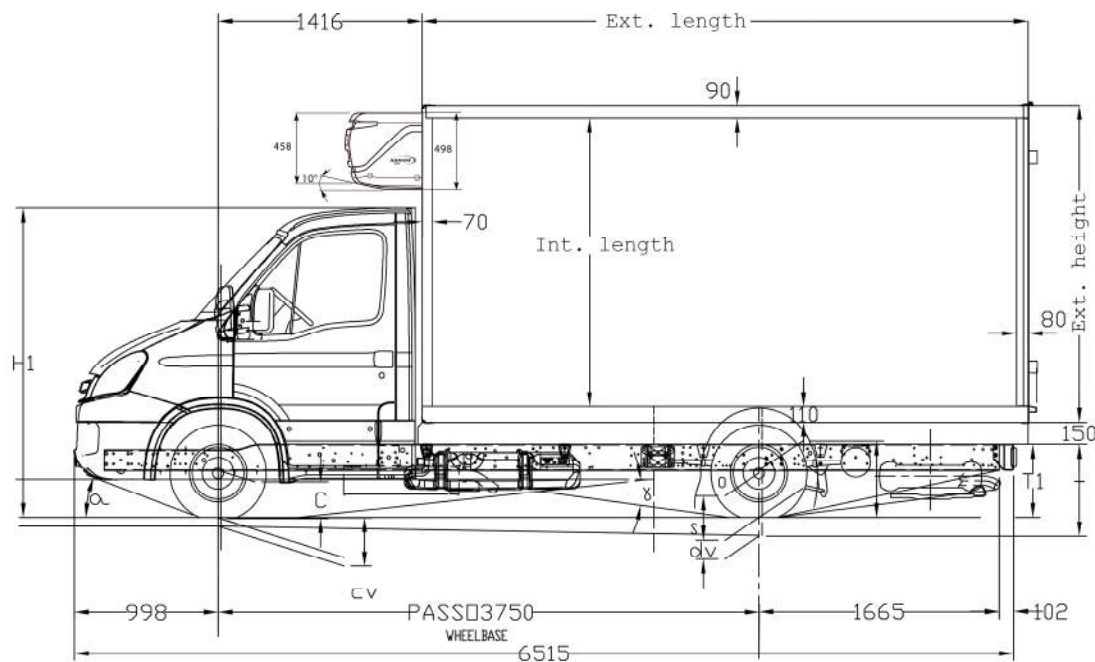
**Sidewalls:** Sandwich panel 70mm thickness. Composed by polyester 2mm thickness/ polyurethane (44Kg/m<sup>3</sup>) / polyester 2mm. Fire resistant factor M3. Exterior part in RAL 9016. Aluminium profiles (alloy 6005). Aluminium kickplate 270mm.

**Frontwall:** Sandwich panel 70mm thickness. Composed by polyester 2mm thickness/ polyurethane (44Kg/m<sup>3</sup>) / polyester 2mm. Fire resistant factor M3. Exterior part in RAL 9016. Aluminium profiles (alloy 6005). External lights mounted. Aluminium kick plate 270mm. Reinforcement for cooling equipment.

**Rear frame:** Made of stainless steel sheet 2,5mm thickness, reinforced in the squares, semiautomatic welding. Stainless Steel quality AISI 304.

**Rear doors:** Sandwich panel 80mm thickness. Composed by polyester 2mm thickness/ polyurethane (44Kg/m<sup>3</sup>) / polyester 2mm. Fire resistant factor M3. Rubber EPDM contour. Stainless steel AISI 304 locks and hinges, recessed locks.

**Platform:** Reinforced sandwich panel 110mm thickness. Composed by polyester 2mm thickness/ polyurethane (44kg/m<sup>3</sup>) plus an angular reinforcement made of laminated steel of 60x60x6 and above all a wood board with an anti-slip finish of gel coat. Fire resistant panel factor M3. Perimeter made of aluminium profiles (alloy 6005). Two front drains to evacuate the water.



Test of maximum  
resistance of  
load rails



Safety of loads  
XL EN 12642



Quality management  
certificate



Environmental  
management  
certificate