



**LIDERKIT GROUP**

Pol. Ind. El Guadiel Tel. + 34 953 67 80 41  
 Avd. Linares, 17 Fax. + 34 953 67 63 52  
 23210 Guarroman www.liderkit.com  
 Jaen (SPAIN)

**MODEL 200. DROPSIDE**

The Dropside has a platform composed by cross members shaped as an "omega" and two of them with the form of a "Z" for the wheel fits on its place. In the inferior part you can screw up the longitudinal beams that are on the chassis

The standard floor is made of wood (thickness of 18mm), but there are more options, like a metal sheet with a relief of diamonds, metal sheet pegaso type, etc..

The floor is delivered assembled on the platform.

This structure can be painted or galvanized. The longitudinal beams are made of galvanized steel.

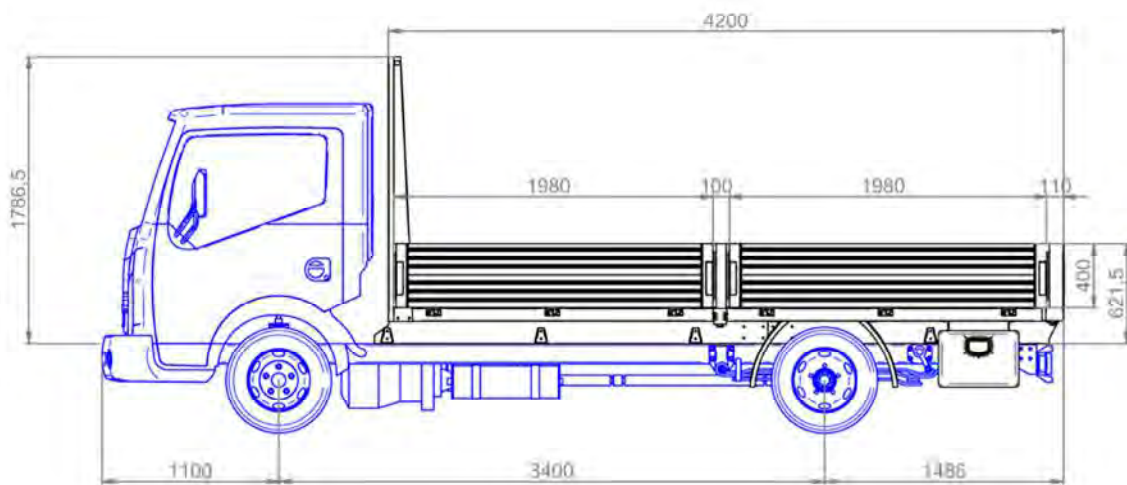
The side boards can be reclined and are made of anodized aluminium profiles. In the end of each side board, there is a vertical lock.

The frontwall is made of aluminium profiles and galvanized steel sheet. This frontwall is delivered completely painted, with shaped reinforcement angles in the union between it and the platform

Additionally we deliver the screws and supports needed to fix the longitudinal beams mentioned before to the chassis of the vehicle.

Each platform is designed for a specific type of vehicle and has a proper length and width, to comply with the regulation of the manufacturer.

The assembly of the dropside is quite easy, because all the parts are prepared to be assembled using screws.



Quality management certificate



Environmental management certificate